

# Series 752

Bidirectional High Performance Slurry Valve



**Bray / VAAS**<sup>TM</sup>

2"-24" (50-600mm) 150psi (10bar),  
240psi (16bar), 300psi (20bar)

# Series 752

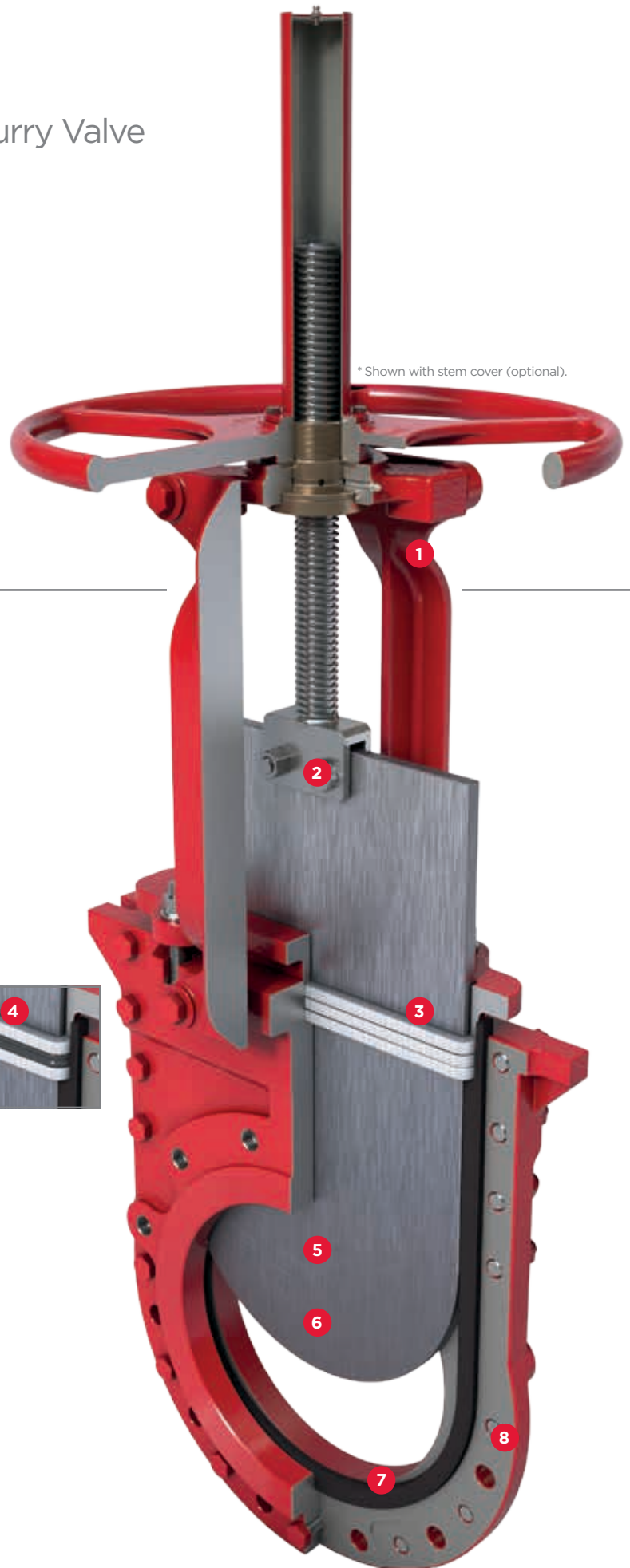
## Bidirectional High Performance Slurry Valve

The Bray/VAAS Series 752 features a robust steel reinforced perimeter seat which provides bidirectional zero leakage shutoff.

The replaceable steel reinforced perimeter seat is mechanically retained between both halves of the two piece bolted body for unsurpassed performance in the most demanding applications.

\* Shown with stem cover (optional).

- 1 Designed for easy, quick conversion between manual and pneumatic actuation. Featuring a lubricant injection port for continuous, smooth operation with minimal maintenance.\*
- 2 Clevis design and horizontal bolting stabilizes gate ensuring proper alignment.
- 3 Standard multi-layer square packing provides exceptional gland sealing.
- 4 Optional energized quad seal packing for enhanced gland sealing.
- 5 Unrestricted flow path with minimal pressure drop achieved through full port valve design.
- 6 Deflection resistant gate design ensures consistent alignment for industry leading durability.
- 7 Replaceable steel reinforced elastomer perimeter seat ensures bidirectional zero leakage shutoff.
- 8 Two piece bolted body for easy maintenance and seat replacement.



## Standard Construction

Body	Gate	Seat	Stem	Gland	Packing	Topworks
CF8	304	Buna-N	304	304	PTFE	Steel
CF8M	316	Buna-N	304	304	PTFE	Steel
WCB	304	Buna-N	304	WCB	PTFE	Steel

## Body Options

Carbon Steel (WCB)
CF8 Stainless Steel
CF8M Stainless Steel
CF3M Stainless Steel
SAF 2205 Duplex
SAF 2507 Duplex

## Gate Options

304, 316, 317 Stainless Steel
SAF 2507 Duplex
17-4PH Stainless Steel
Hastelloy® C
Monel®
Titanium

## Seat Options

Buna-N -35°-194°F/-37°-90°C
EPDM -65°-248°F/-54°-120°C
Viton® -15°-392°F/-26°-200°C

## Actuator Options\*

Bevel Gear
Pneumatic
Hydraulic
Electric

\*Direct Mounted Handwheel (Standard).

## Packing Options

PTFE 232°C/450°F
Elastomer 90°C/194°F
Quad Seal* 200°C/392°F

Additional material options may be available upon request. Consult factory for availability.

\*PTFE with Buna-N or Viton®.

## Specifications & Standards

Size Range	2" to 24" (50 - 600mm)
Pressure Rating	150psi (10bar), 240psi (16bar), 300psi (20bar)
Body Style	Wafer, two-piece bolted

Design	MSS SP-81
Testing	MSS SP-81
Face-to-face Certification	MSS SP-81 (150psi, 240psi models) Canadian CRN
Drilling*	ASME B16.5 CL150, ASME B16.47 CL150

\*Additional drilling options available. Consult factory for availability.

## Dimensions

In. (mm)	A	B	R/FØC	D	E	ØF	G	H	I	ØJ
2 (50)	1.88 (48)	4.75 (121)	3.62 (92)	14.56 (370)	16.14 (410)	7.99 (203)	20.66 (525)	--	--	--
3 (80)	2.00 (51)	6.00 (153)	5.00 (127)	15.55 (395)	17.51 (445)	7.99 (203)	23.62 (600)	--	--	--
4 (100)	2.00 (51)	7.50 (191)	6.18 (157)	19.48 (495)	22.83 (580)	10.00 (254)	27.55 (700)	--	--	--
6 (150)	2.24 (57)	9.50 (242)	8.50 (216)	23.50 (597)	28.22 (717)	12.00 (305)	36.41 (925)	--	--	--
8 (200)	2.75 (70)	11.75 (299)	10.63 (270)	28.18 (716)	34.92 (887)	15.98 (406)	42.12 (1070)	--	--	--
10 (250)	2.75 (70)	14.25 (362)	12.76 (324)	30.51 (775)	40.94 (1040)	15.98 (406)	50.59 (1285)	51.18 (1300)	9.68 (246)	19.68 (500)
12 (300)	3.00 (76)	17.00 (432)	14.76 (375)	34.25 (870)	46.65 (1185)	20.00 (508)	55.11 (1400)	59.05 (1500)	9.68 (246)	19.68 (500)
14 (350)	3.00 (76)	18.75 (476)	16.26 (413)	--	--	--	59.44 (1510)	62.99 (1600)	9.68 (246)	19.68 (500)
16 (400)	3.50 (89)	21.25 (540)	18.50 (470)	--	--	--	70.27 (1785)	65.94 (1675)	10.47 (266)	19.68 (500)
18 (450)	3.50 (89)	22.75 (578)	20.98 (533.5)	--	--	--	76.57 (1945)	68.89 (1750)	10.47 (266)	19.68 (500)
20 (500)	4.50 (114)	25.00 (635)	23.03 (584)	--	--	--	82.67 (2100)	84.64 (2150)	10.47 (266)	19.68 (500)
24 (600)	4.50 (114)	29.50 (750)	27.24 (692)	--	--	--	89.96 (2285)	94.48 (2400)	10.55 (268)	19.68 (500)

Dimensions are approximate and subject to change. Consult factory for certified drawings.

## Weights

Size (In.)	2	3	4	6	8	10	12	14	16	18	20	24
Weight (lbs)	24	35	44	62	119	176*	165*	304*	419*	516*	661*	955*
Size (mm)	50	80	100	150	200	250	300	350	400	450	500	600
Weight (kgs)	11	16	20	28	54	80*	120*	138*	190*	234*	300*	433*

\*Approximate weights shown with bevel gear actuator standard on 10"-24" valves, consult factory for additional configurations.

